

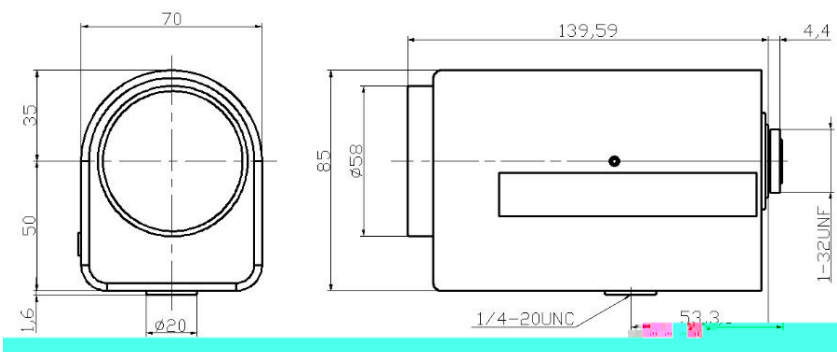
P8D 8BF)' ' /%\$, d d

PD (' - /%D 8I



YM10x8.5MAPR

	--	
200		130
IR	--	
24		
EBC	--	
	400 950nm	95%





	YAMAKO
	YM10×8.5MAPR
	1/2"
	200
	8.5 85mm
	F2.0 360
	DC
	C
	1.5m
	400 950nm
	-45° - 70°
	37mm × 69mm × 49mm
	125g
	12.55mm
	52.7 42.8 32.4 5.1 4.2 3.2
	M= 55.0 P= 0.75
	400 950nm
ED	
	-45° - 70°
	70mm 85mm 139.6mm
	816g

